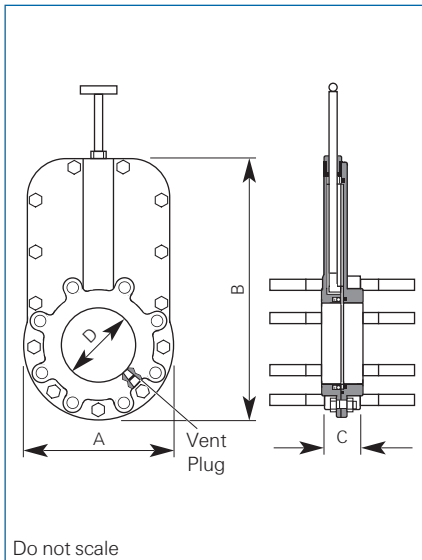


## UPE Gas Converter Slide Valve

Underpressure drilling applications, 80 - 300mm

### Benefits

- Light weight for safe, easy installation
- Ease of fitment and use means more efficient underpressure operations
- Integral bolts for fast, accurate and cost effective installation
- Removable handle and locking plug for security against unauthorised use
- Incorporates elastomeric nitrile rubbers complying to GC/PS/LC6



### Range, Dimensions and Details

Nominal Size	Dimensions (mm)				Weight (Kg)
	A	B	C	D	
80mm/3"	202	309	70	85	16.6
100mm/4"	222	349	76	105	17.7
150mm/6"	286	461	76	155	27.6
200mm/8"	330	579	76	205	47.7
250mm/10"	396	696	90	255	66.8
300mm/12"	450	807	94	310	86.6

### Technical help

For further technical data, product specifications and general information please contact our Customer Service Department at the telephone number shown below.

The UPE Converter Slide Valve for gas applications is an effective, full bore construction valve, that will allow underpressure gas drilling operations to be performed on low or medium pressures systems. Optimum weight savings have been made in the valve's design.



### Technical data

Pressures Working Test  
Gas\*: 2 or 7 bar 11 bar

\*The standard valve is available for use with gas pressures to 2 bar. For gas pressures up to 7 bar a version with a block and bleed facility is also available.

Temperature: Up to 40°C

Temperature increases may affect the installed life of the product. For further information relating to operating temperatures please contact our customer service department at the telephone number shown below.

Sizes: 80mm - 300mm

Flange type: PN 16

Material:

Body: Ductile Iron  
BS 2789 Grade 420 / 12

Plate and Stub Shaft Assembly:

Mild steel Steel to BS 4190  
Zinc Plated to BS 1706

Gland Nut: Brass

Coating: Hard Enamel Paint

Fasteners: Mild steel Steel to BS 4190  
Zinc Plated to BS 1706

Seals: Nitrile (BS2494 Type G)

### Safety

As with all industrial products it is important to take adequate safety precautions such as the use of adequate protective clothing like gloves, overalls, eye protection and safety footwear during use, maintenance and installation.

### General application

The UPE Slide Valve flanges are to BS 4504, NP16 and each one is supplied complete with studs, nuts and washers. Stud length can be specified, either long for use with PE stud flanges or short for standard metal flanges. Please state requirements when ordering.

The valve incorporates a bleed plug to give a double block and bleed facility. This enables new pipework to be tested up to the valve face. In addition the valve can be supplied with a bypass valve (standard on 7bar valves) to equalise the pressures over the valve plate.

All slide valves can be used in conjunction with UPE UnderPressure Tees providing an ideal base for in-branch drilling and flow stopping operations.

UPE slide valves are fitted with a vent plug to ease the testing of new pipework and the valve flanges are drilled, tapped and studded to BS 4504 Section 3.2 - Circular flanges for pipes, valves and fittings, table PN 16.

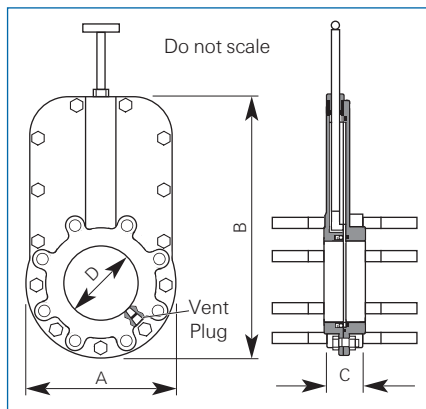
A locking plug is also provided to enable the valve to be left in a secure manner when the operation is complete.

## UPE Water Converter Slide Valve

Underpressure drilling applications, 80 - 300mm

### Benefits

- Light weight for safe, easy installation
- Ease of fitment and use means more efficient underpressure operations
- Integral bolts for fast, accurate and cost effective installation
- Removable handle and locking plug for security against unauthorised use
- Minimal space required allows for use in congested trench conditions



### Range, Dimensions and Details

Nominal Size	Dimensions (mm)				Weight (Kg)
	A	B	C	D	
80mm/3"	202	309	70	85	16.6
100mm/4"	222	349	76	105	17.7
150mm/6"	286	461	76	155	27.6
200mm/8"	330	579	76	205	47.7
250mm/10"	396	696	90	255	66.8
300mm/12"	450	807	94	310	86.6

### Tyco Waterworks

Edison Road  
Hams Hall Distribution Park  
Coleshill  
Birmingham  
B46 1AB United Kingdom  
Telephone: +44 (0)1675 437 900  
Facsimile: +44 (0)1675 437 909  
e-mail: [wwinfo@tyco-valves.com](mailto:wwinfo@tyco-valves.com)  
web: [www.tycowaterworks.com](http://www.tycowaterworks.com)

The UPE Converter Slide Valve for Water applications is an effective, full bore construction valve, that will allow underpressure drilling operations to be performed on pressures up to 10 bar. Optimum space and weight savings have been made in the valve's design.



### Technical data

Pressures Working  
Water: 10 bar  
The UPE Slide Valve can be used in water applications up to a maximum holding pressure of 10 bar (145lb/sq. inch) and a maximum line pressure of 16 bar (230lb/sq. inch).  
Temperature: Up to 40°C  
Temperature increases may affect the installed life of the product. For further information relating to operating temperatures please contact our customer service department at the telephone number shown below.

Sizes: 80mm - 300mm  
Flange type: PN 16  
Material:  
Body: Ductile Iron  
BS 2789 Grade 420 / 12  
Plate and Stub Shaft Assembly:  
Mild steel Steel to BS 4 190  
Brass (DZR)  
Coating: Cathodic Electrocoat Epoxy  
(PPG 641 powercron  
WFMD listed)  
Fasteners: Mild steel Steel to BS 4 190  
Zinc Plated to BS 1706  
Seals: Nitrile (BS2494 Type G)

### Technical help

For further technical data, product specifications and general information concerning this product please contact our Customer Service Department at the telephone number shown below.

### General application

The UPE Slide Valve flanges are to BS 4504, NP16 and each one is supplied complete with studs, nuts and washers. Stud length can be specified, either long for use with PE stud flanges or short for standard metal flanges. Please state requirements when ordering.

The Converter Slide Valve incorporates a bleed plug to provide a double block and bleed facility that enables new pipework to be tested up to the valve face.

The slide valve can be used in conjunction with the range of UPE UnderPressure Tees providing an ideal base for branch drilling and flow stopping operations.

UPE slide valves are fitted with a vent plug to ease the testing of new pipework and the valve flanges are drilled, tapped and studded to BS 4504 Section 3.2 - Circular flanges for pipes, valves and fittings, table PN 16.

A locking plug is also provided to enable the valve to be left in a secure manner when the operation is complete.

### Safety

As with all industrial products it is important to take adequate safety precautions such as the use of adequate protective clothing like gloves, overalls, eye protection and safety footwear during use, maintenance and installation.